

Data Sheet

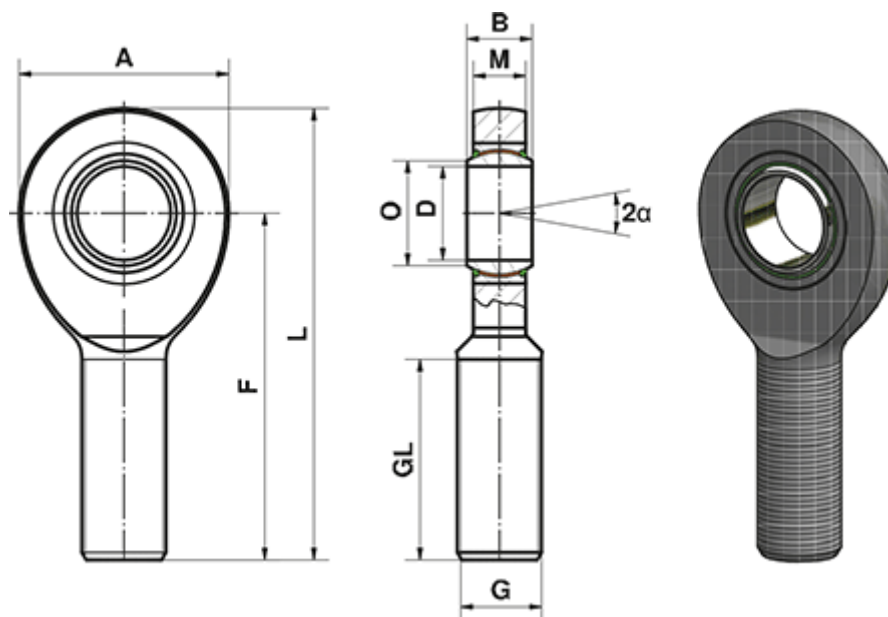


Article number: 03493040

Description: Fluro Heavy Duty Rod end EAL 40 EW-2RS
M39x3 Male thread

Note: 40

Measures



A	= 92	L	= 196
a (degrees)	= 7	M	= 22
B	= 28	O	= 45
D	= 40	Static load C0 (kN)	= 178
Dynamic load C (kN)	= 277	Weight (g)	= 1800
F	= 150		
G	= M39x3		
GL	= 86		